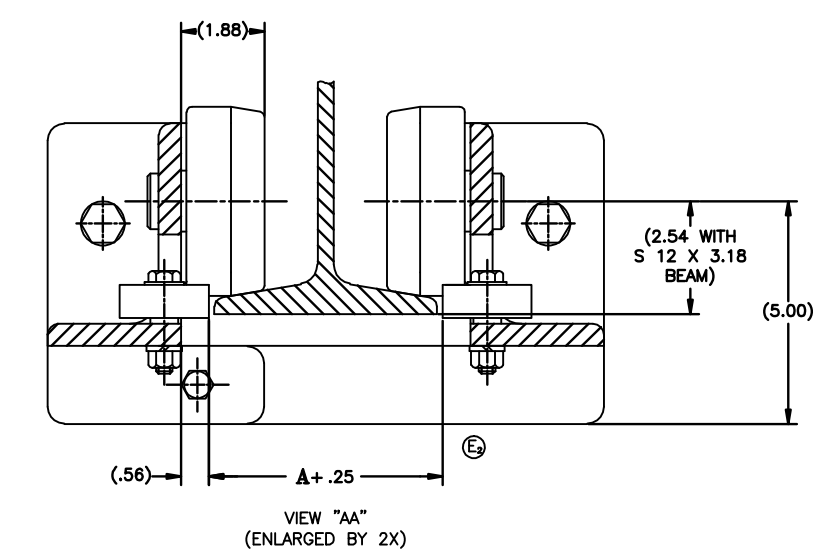
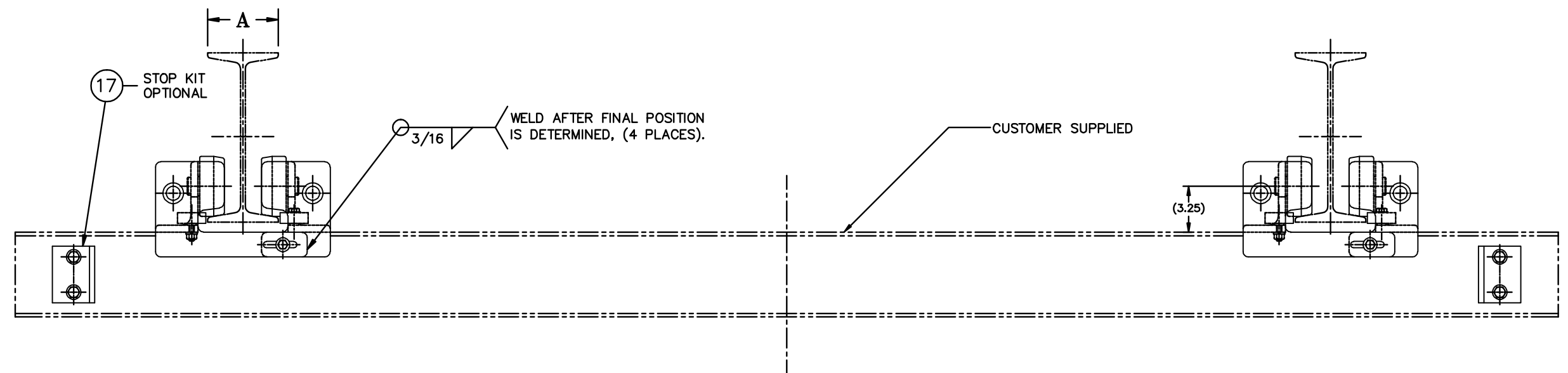
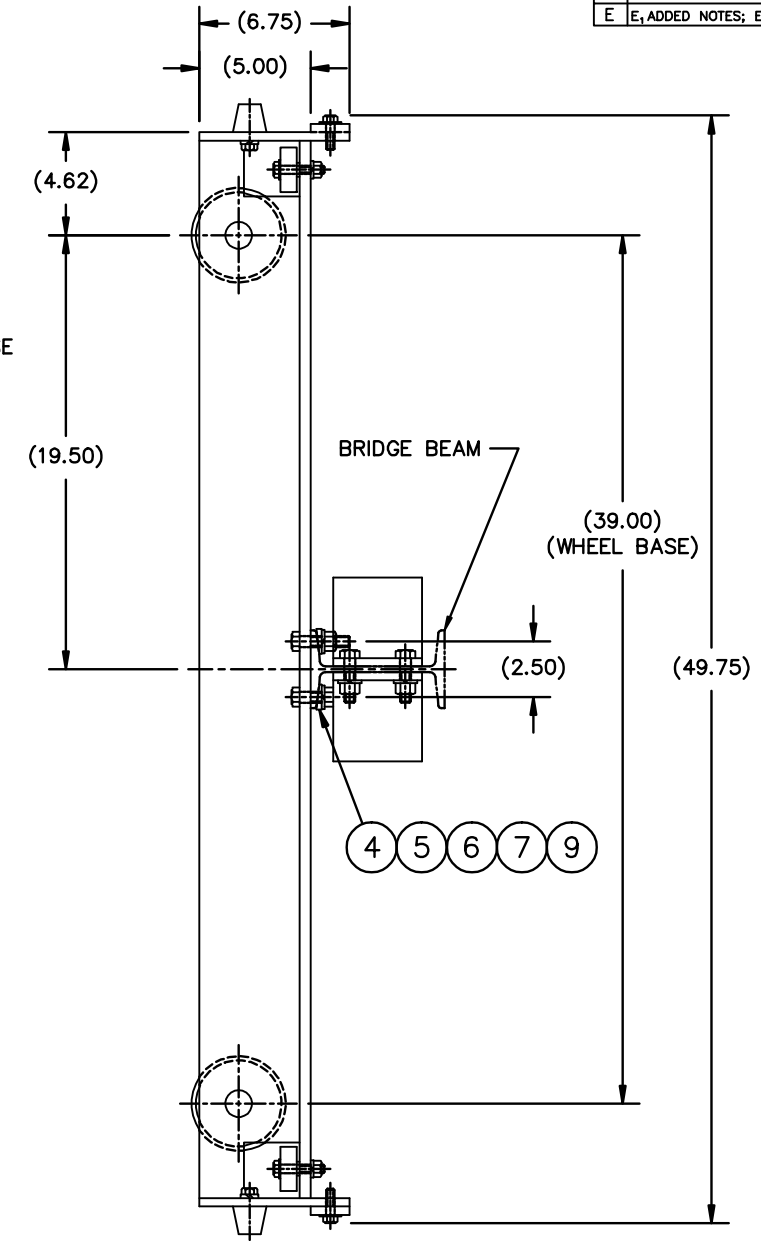
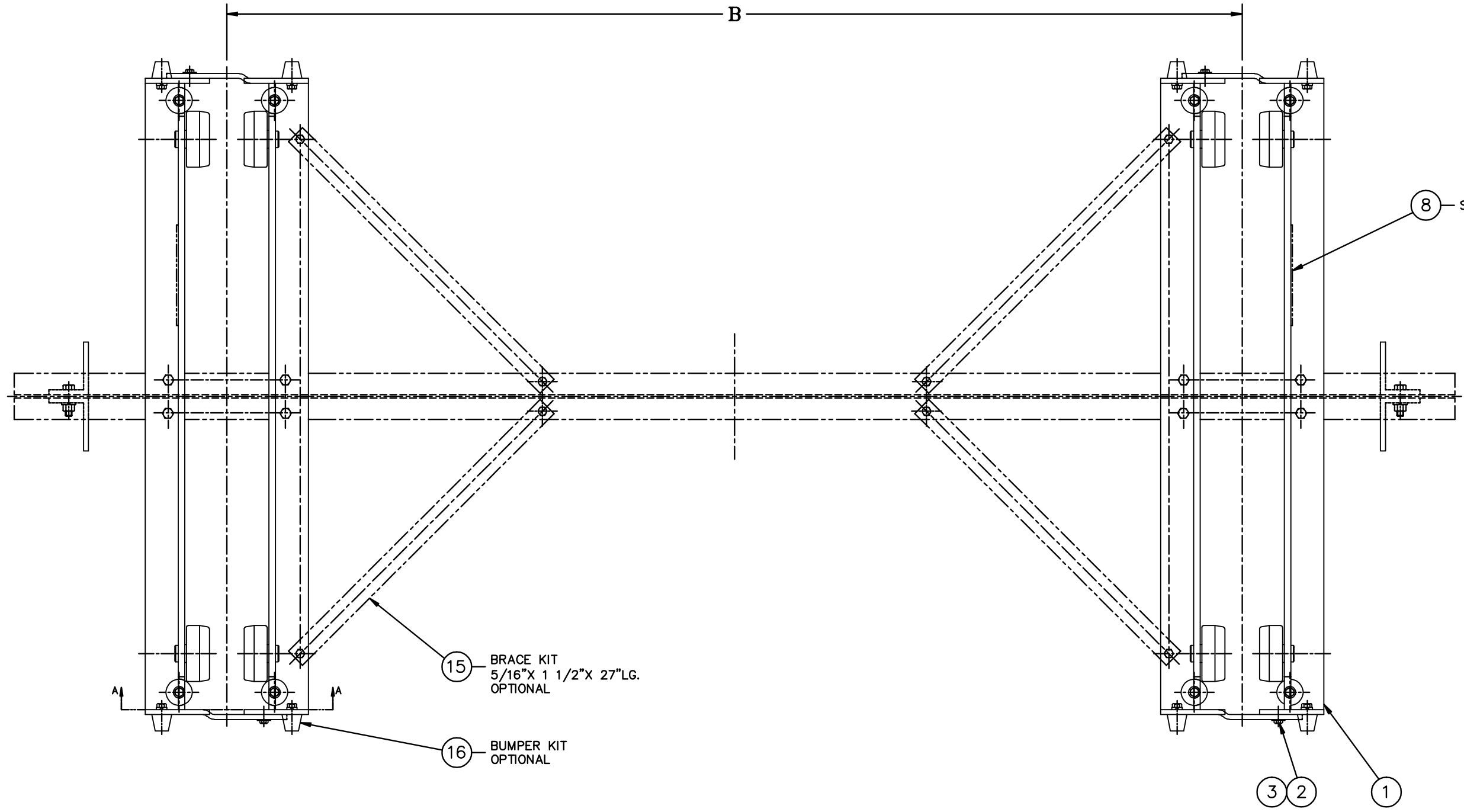


REV.	DESCRIPTION	DATE	BY	APP.
D	REDRAWN AND REVISED, PUT ON AUTOCAD	6/24/96	PJB	RCW
E	ADDED NOTES; E <sub>1</sub> ADDED VIEW; E <sub>2</sub> ITEM 7 WAS 91151A033	8/21/06	RWN	MRS



- NOTES:
- TWO COATS OF FAST DRYING SAFETY YELLOW COLOR NO. 13538 OR 1310.
  - CUSTOMER TO SPECIFY CAPACITY DECAL.
  - SUPPLIED IN HARDWARE KIT B-02-054477.
  - BRIDGE CRANES CAN ALSO BE RUN ON W-BEAM SHAPES.

SEE NOTE #2

ITEM #	PART NUMBER	QTY	DESCRIPTION	MATERIAL OR NOTE	SPECIFICATION
	44714	2	4,000 POUND DECAL		(2 TON)
	44713	2	3,000 POUND DECAL		(1 1/2 TON)
	44712	2	2,000 POUND DECAL		(1 TON)
	44711	2	1,000 POUND DECAL		(1/2 TON)
	44710	2	500 POUND DECAL		(1/4 TON)

17	40840	1	SAFETY STOP KIT	OPTIONAL	
16	44601	1	BUMPER KIT	OPTIONAL	
15	44596	1	BRACE KIT	OPTIONAL	

9	6620-11	8	FLAT WASHER	.546 X 1.203 X #11GA. THK.	
8	44602	2	NAMEPLATE		
7	GG 1/2 BEVEL	8	BEVEL WASHER	1/2 BOLT SIZE	McMASTER-CARR OR EQ.
6	COML	8	HEX. HD. SCREW	1/2-13 X 2-1/4	GRADE #5 OR #6
5	COML	8	LOCK WASHER	1/2 MED.	
4	COML	8	HEX. NUT	1/2-13	
3	COML	4	HEX. HD. SCREW	3/8-16 X 1-1/4	GRADE #5
2	COML	4	FLAT WASHER	3/8	
1	44520	4	SIDE ANGLE ASSEMBLY		

BEAM CHART (S-BEAMS)											
B SPAN	10.0'	12.5'	15.0'	17.5'	20.0'	22.5'	25.0'	27.5'	30.0'		
500#	6 I X 12.5#	6 I X 12.5#	6 I X 12.5#	6 I X 12.5#	6 I X 12.5#	6 I X 12.5#	7 I X 15.3#	7 I X 15.3#	7 I X 20.0#		
1000#	6 I X 12.5#	7 I X 15.3#	7 I X 15.3#	7 I X 15.3#	7 I X 20.0#	8 I X 18.4#	8 I X 23.0#	10 I X 25.4#	10 I X 25.4#		
2000#	7 I X 15.3#	8 I X 18.4#	8 I X 23.0#	10 I X 25.4#	10 I X 25.4#	10 I X 35.0#	12 I X 31.8#	12 I X 31.8#	12 I X 35.0#	5.25	S 12 X 40.8
3000#	8 I X 23.0#	10 I X 25.4#	10 I X 35.0#	12 I X 31.8#	12 I X 35.0#	15 I X 42.9#	15 I X 42.9#	15 I X 42.9#	15 I X 42.9#	5.00	S 12 X 31.8
4000#	10 I X 25.4#	10 I X 35.0#	12 I X 31.8#	15 I X 42.9#	15 I X 42.9#	15 I X 42.9#	15 I X 42.9#	18 I X 54.7#	18 I X 54.7#	3.33	S 6.0 X 12.5
											A "I" BEAM

THIS DRAWING AND THE SERVICE CENTER ILLUSTRATED IS THE PROPERTY OF CIGNYS. IT IS TO BE USED BY THE USER FOR THE PROJECT ONLY. NO REPRODUCTION OR TRANSMISSION OF THIS DRAWING OR SERVICE CENTER ILLUSTRATION IS PERMITTED WITHOUT THE EXPRESS WRITTEN AUTHORIZATION OF CIGNYS.

MACHINING & STAMPING OPERATIONS: FRACTION 2/16 DECIMALS ± .005 ANGULAR 25° FRACTION 3/8 DECIMALS ± .005 ANGULAR 31°

WELDMENTS & SHEET METAL FABRICATIONS: FRACTION 3/8 DECIMALS ± .005 ANGULAR 31°

WEIGHT: 300 LBS

SCALE: 1/4"

DO NOT SCALE DRAWING

REFERENCE: 48498, 44600, 46758, 047905

CHARTED

44525