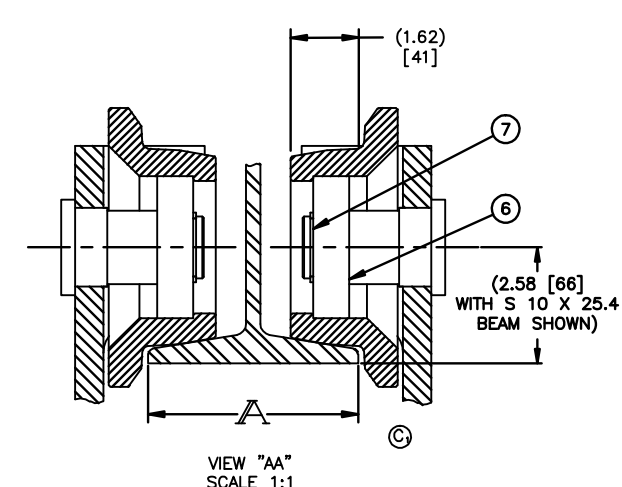
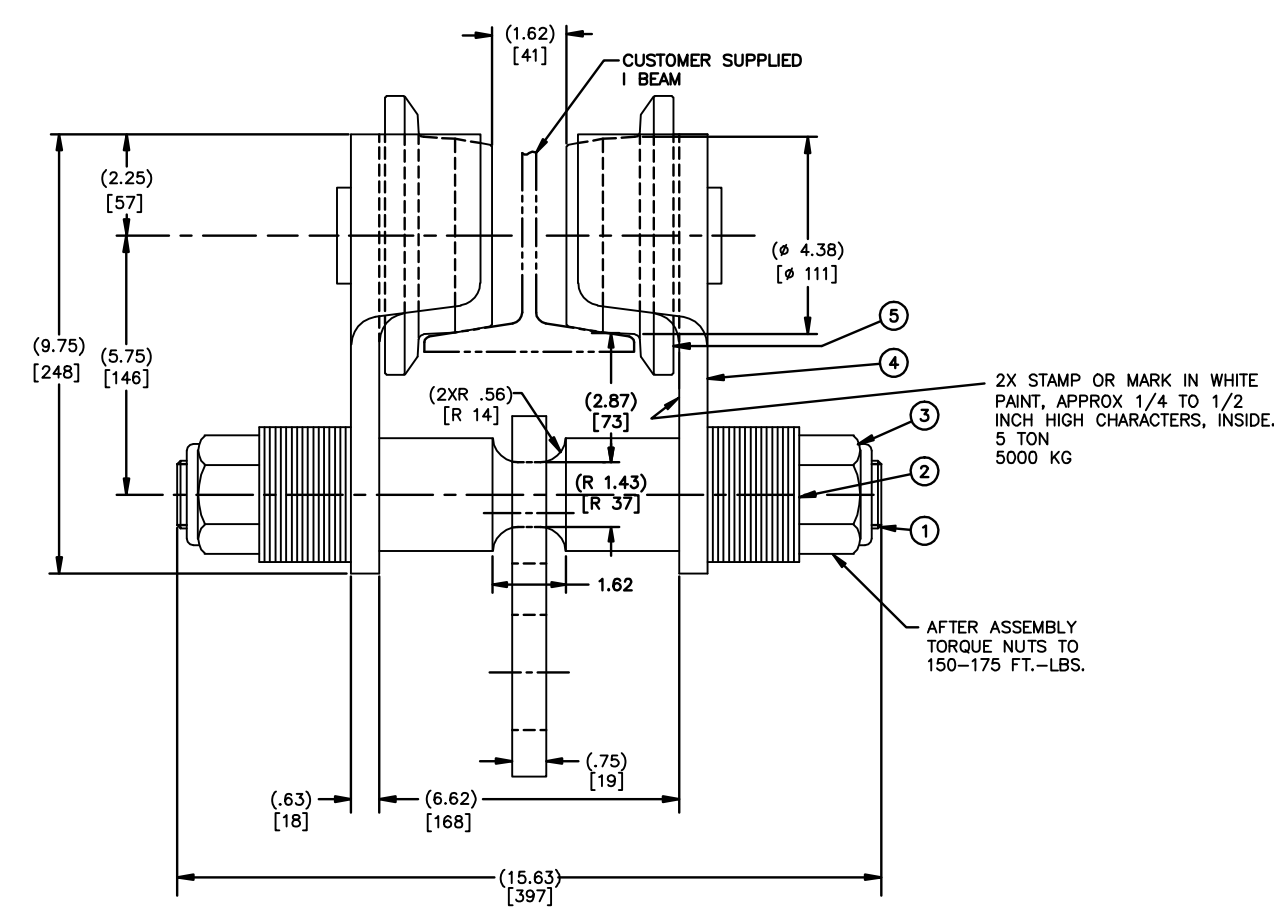
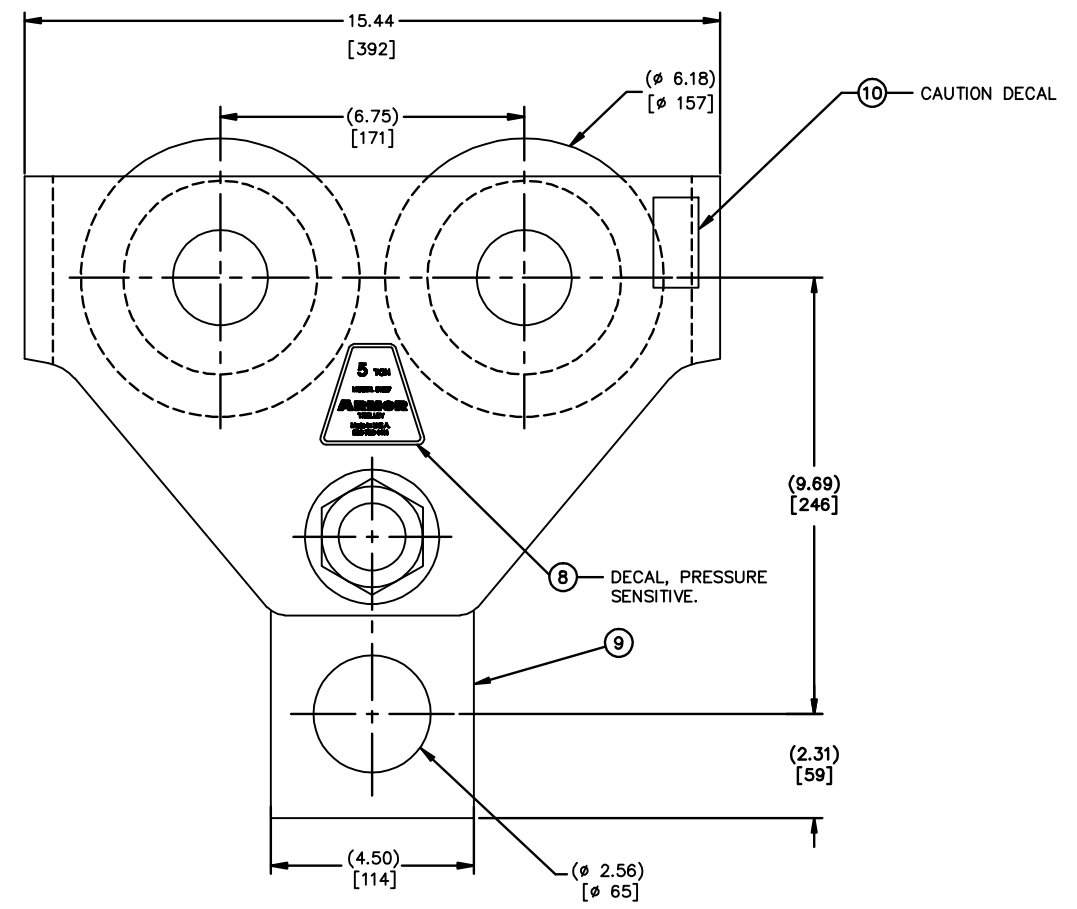


REV.	DESCRIPTION	DATE	BY	APP
A	ITEM 8 WAS 51871; ADDED "ARMOR" TO PART NAME	12/5/01	BJA	RCW
B	WAS 4.660 TO 8.090; (ENG UPDATE)	3/23/05	DJH	MRS
C	C ₁ ADDED VIEW; C ₂ UPDATED NOTE #4	10/30/06	RWN	MRS



- NOTES:
- ASSEMBLE TROLLEY WHEELS, BEARINGS AND RETAINER RINGS TO SIDE PLATE, AFTER ASSEMBLY PAINT ALL OVER WITH BLACK #1713 OF FED STD 595. FAST DRYING ENAMEL.
 - ASSEMBLE NUTS FINGER TIGHT ON HANGER SHAFT WITH REQUIRED NUMBER OF WASHERS.
 - CAPACITY 11,000 POUNDS (TROLLEY DESIGNED WITH A MINIMUM DESIGN FACTOR OF 5:1 AND SHALL REMAIN INTACT ON LARGEST FLANGE SPECIFIED, WHEN LOADED TO FIVE TIMES ITS CAPACITY.)
 - TROLLEY WITH UNIVERSAL WHEEL OUTER TREAD TO OPERATE ON EITHER TAPERED OR FLAT TRACK (W OR S BEAMS).
 - EACH TROLLEY TO BE PACKED WITH ONE-PAGE INSTRUCTION SHEET.
 - DIMENSIONS IN [] ARE MILLIMETERS.
 - HOIST TROLLEY CAN OPERATE ON CURVED BEAM WITH 60" [1526] MINIMUM BEAM RADIUS AT CENTER LINE.
 - SEE SPC DOC. 0232 FOR WASHER INSTALLATION DATA.

HANGER SHAFTS
 B-02-049592 FOR BEAMS WITH FLANGE WIDTH 4.660 TO 8.060 STANDARD.
 B-02-048870 FOR BEAMS WITH FLANGE WIDTH 7.247 TO 9.750 STANDARD.

WF 10 X 39 [254]	8.000 [203]
S 24 X 121 [610]	8.050 MAX [204]
S 24 X 100 [610]	7.247 [184]
S 10 X 25.4 [254]	4.660 [118]
I BEAM	A

NO.	QTY	DESCRIPTION	UNIT
10	51874	1 CAUTION DECAL	
9	49587	1 HOOK PLATE	
8	54094	1 NAMEPLATE DECAL	
7	5100-137	4 RETAINER RING	TRUARC OR EQ.
6	6307-2RS1	4 BALL BEARING	SKF OR EQ.
5	47039	4 TROLLEY WHEEL	
4	48482	2 SIDE PLATE & STUD ASSEMBLY	
3	91-34050-31	2 NUT, LOCK, NYLON INSERT	1 1/4"-12 THDS
2	14920-3	34 WASHER	2 1/2 OD X 1 1/4 ID X 1/8
1	49592	1 HANGER SHAFT	

MATERIAL: SEE DETAILS	DRAWN BY: BSH	GEOMETRY CREATED IN AutoCAD	AGNYS Multifaceted & Multifunctional Manufacturing www.agnys.com
FINISH: NOTED	CHECKED BY: RCW	DESCRIPTION: (A) ARMOR 5-TON HOIST TROLLEY 4.66" - 8.05" BEAM FLANGE WIDTH	
DATE DRAWN: 10/27/06		CODE IDENT NO. 52793	PART NUMBER / FILE NAME: 51667
CUSTOMER:		SCALE: 1:1	DO NOT SCALE DRAWING
DIMENSIONS ARE IN INCHES UNLESS OTHERWISE SPECIFIED		REFERENCE: 47135, 44515, 44718, 48115, 48315	
TOLERANCES UNLESS OTHERWISE SPECIFIED		SHEET: 1 of 1	
MACHINING & STAMPING OPERATIONS: FRACTION 1/16 DECIMALS .X ± .03 ANGULAR ±5° WELDMENTS & SHEET METAL FABRICATIONS: FRACTION 1/8 DECIMALS .XX ± .06 ANGULAR ±1°			

THIS DRAWING AND THE SUBJECT MATTER ILLUSTRATED IS THE PROPERTY OF AGNYS. THE DRAWING IS NOT TO BE COPIED IN PART OR WHOLE, DUPLICATED, REPRODUCED, USED BY PARTIES OTHER THAN AGNYS TO MANUFACTURE THE SUBJECT MATTER ILLUSTRATED, OR SUBMITTED TO OTHER PARTIES WITHOUT THE EXPRESS WRITTEN AUTHORIZATION OF AGNYS.