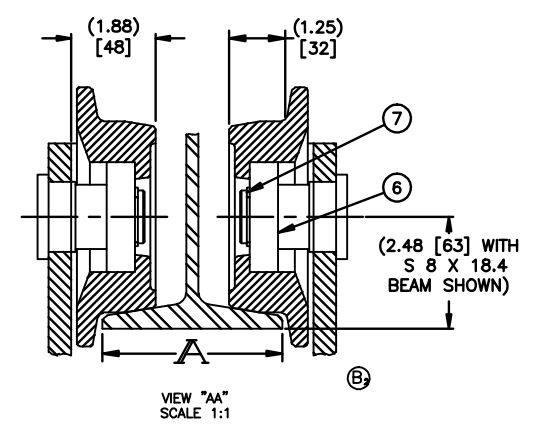
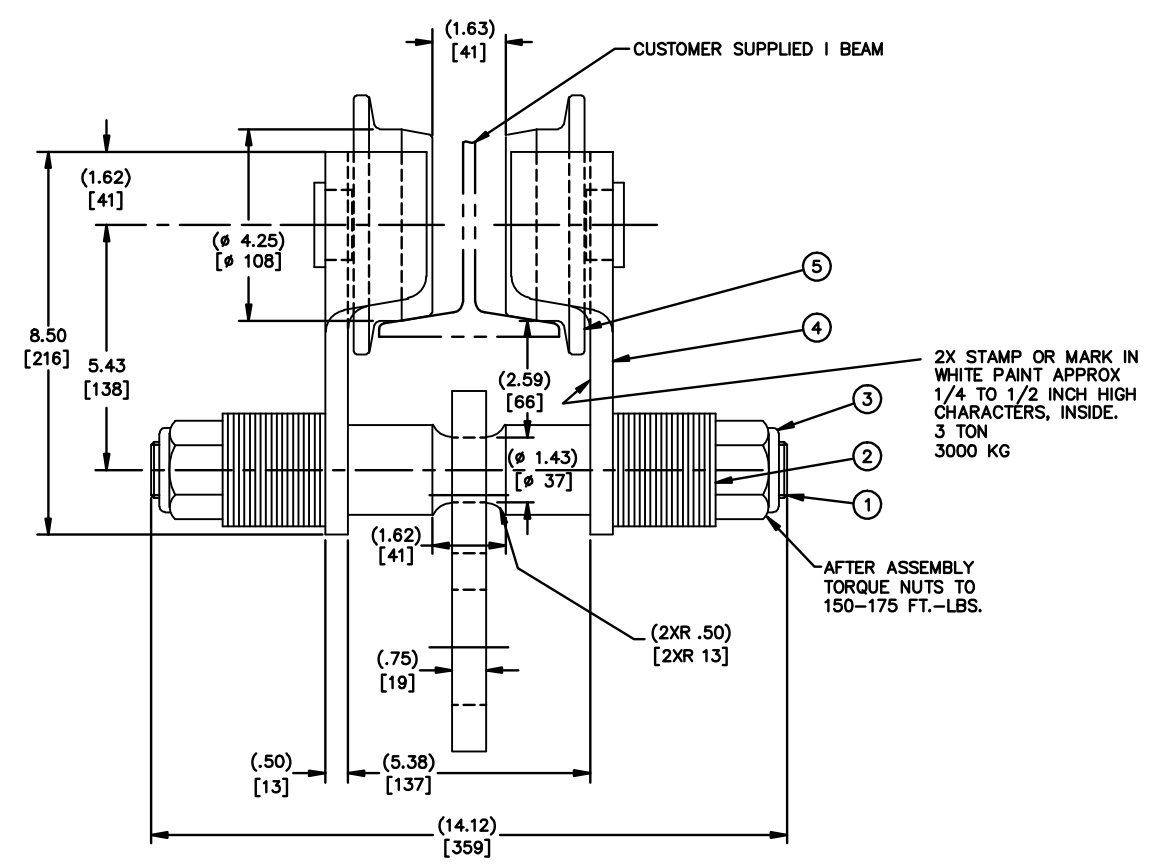
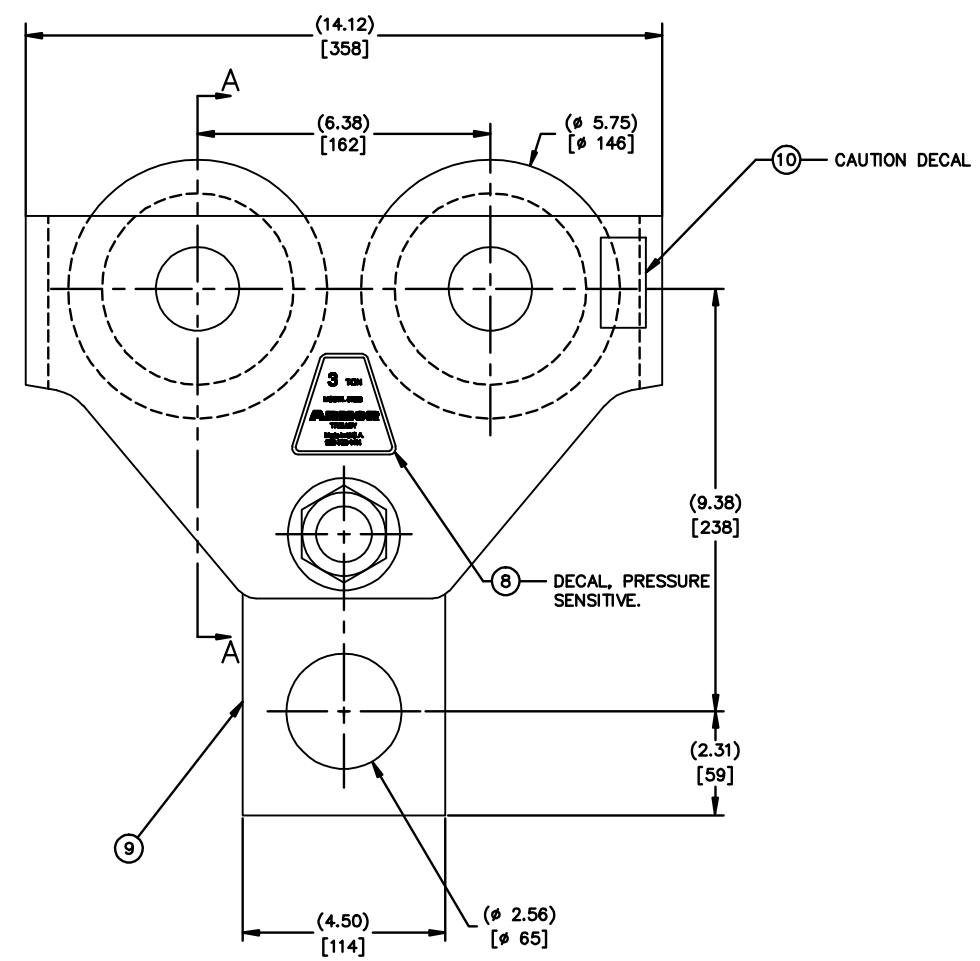


REV.	DESCRIPTION	DATE	BY	APP
A	ITEM 8 WAS 51870; ADDED "ARMOR" TO PART NAME	12/5/01	BJA	RCW
B	B ₁ ADDED NOTE; B ₂ ADDED VIEW	10/30/06	RWN	MRS



- NOTES:
- ASSEMBLE TROLLEY WHEELS, BEARINGS AND RETAINER RINGS TO SIDE PLATE, AFTER ASSEMBLY PAINT ALL OVER WITH BLACK #1713 OF FED STD 595. FAST DRYING ENAMEL.
 - THE HANGER SHAFT TO BE SHIPPED WITH WASHERS AND LOCK NUTS LOOSE IN A PLASTIC BAG.
 - CAPACITY 6600 POUNDS (TROLLEY DESIGNED WITH A MINIMUM DESIGN FACTOR OF 5:1 AND SHALL REMAIN INTACT ON LARGEST FLANGE SPECIFIED, WHEN LOADED TO FIVE TIMES ITS CAPACITY).
 - TROLLEY WITH UNIVERSAL WHEEL OUTER TREAD TO OPERATE ON EITHER TAPERED OR FLAT TRACK.
 - EACH TROLLEY TO BE PACKED WITH ONE-PAGE INSTRUCTION SHEET.
 - DIMENSIONS IN [] ARE MILLIMETERS.
 - HOIST TROLLEY CAN OPERATE ON CURVED BEAM WITH 60° [1524] MINIMUM BEAM RADIUS AT CENTER LINE.
 - SEE SPC DOC 0232 FOR WASHER INSTALLATION.
 - 6.125" HEAD ROOM: WHEEL TREAD TO BOTTOM OF HOOK PLATE.
 - CAN BE RUN ON S AND W SHAPED BEAMS.

WF 10 X 39 [254]	8.000 [203]
S 24 X 121 [610]	8.050 MAX [204]
S 20 X 66 [508]	6.250 [159]
S 8 X 18.4 [203]	4.000 [102]
I BEAM	A

ITEM #	PART NUMBER	QTY	DESCRIPTION	MATERIAL OR NOTE	SPECIFICATION
10	51874	1	CAUTION DECAL		
9	49587	1	HOOK PLATE		
8	54093	1	NAMEPLATE DECAL		
7	5100-118	4	RETAINER RING		TRUARC OR EQ.
6	6206-2RS1	4	BALL BEARING		SKF OR EQ.
5	47036	4	TROLLEY WHEEL		
4	48480	2	SIDE PLATE & STUD ASSEMBLY		
3	91-34050-27	2	NUT, LOCK, NYLON INSERT	1 1/4"-12 THDS	
2	14010-1	38	WASHER	2 1/2 OD X 1 1/4 ID X 1/8	
1	49591	1	HANGER SHAFT		

MATERIAL: SEE DETAILS	DRAWN BY: BSH	GEOMETRY CREATED IN: AutoCAD	CIGNYS Multifaceted & Multifunctional Manufacturing www.cignys.com
FINISH: NOTED	CHECKED BY: RCW	DESCRIPTION: (A) ARMOR 3-TON HOIST TROLLEY 4.00 TO 8.06 FLANGE WIDTH	
	ENGINEERING APPROVAL: MRS	DATE DRAWN: 8/17/99	
	CUSTOMER:		
DIMENSIONS ARE IN INCHES UNLESS OTHERWISE SPECIFIED			
TOLERANCES UNLESS OTHERWISE SPECIFIED			
MACHINING & STAMPING OPERATIONS WELDMENTS & SHEET METAL FABRICATIONS			
FRACTION: 1/16	DECIMALS: .X ± .03	ANGULAR: ±5°	FRACTION: 1/8
			DECIMALS: .XX ± .06
			ANGULAR: ±.03
			XXX ± .005
NEXT ASSEMBLY	USED ON:	CODE IDENT NO. 52793	PART NUMBER / FILE NAME: 51666
DO NOT SCALE DRAWING			
EST WT 76#			
REFERENCE: 47133, 47736, 48313			