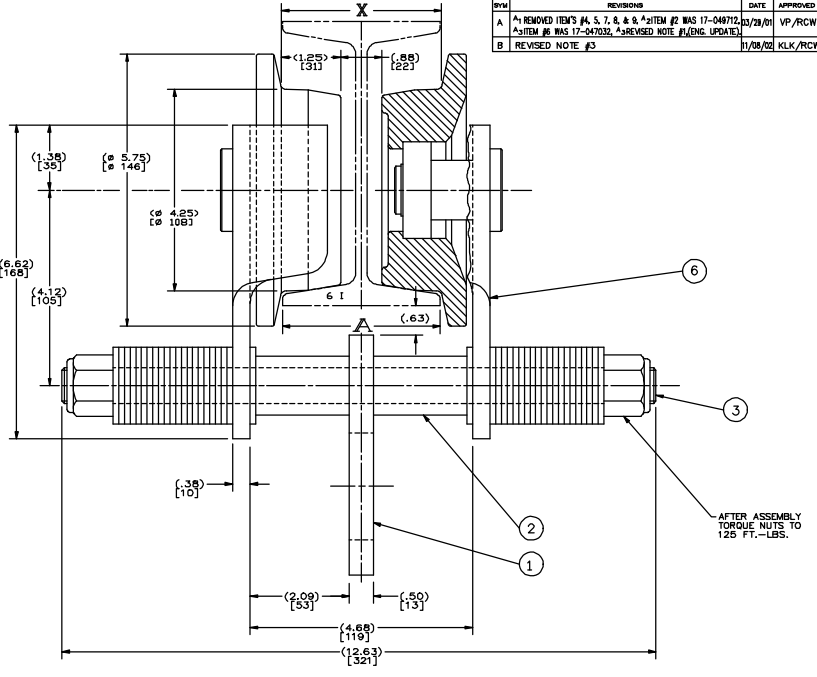
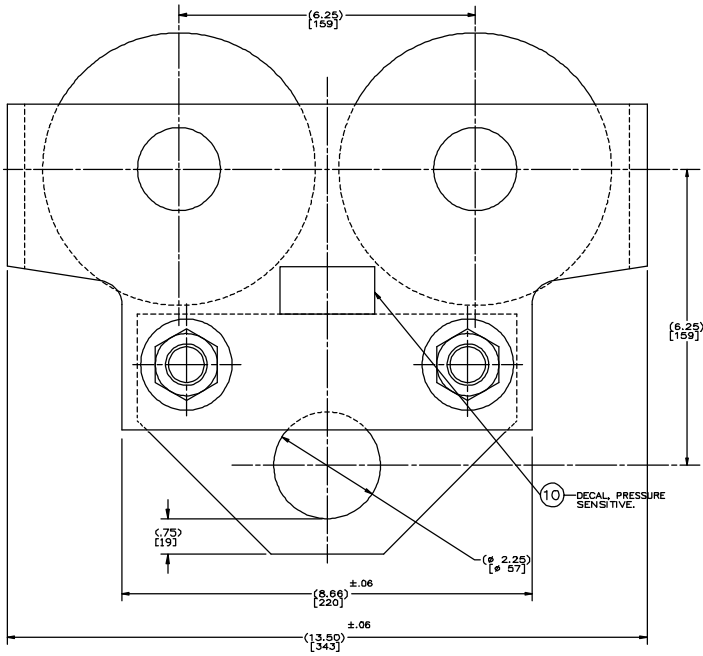


SYM	REVISIONS	DATE	APPROVED
A	*1 REMOVED ITEMS #4, 5, 7, 8, & 9, *2 ITEM #2 WAS 17-049712, 11/29/01		VP/RCW
B	*1 ITEM #2 WAS 17-049712, *2 REVISED NOTE #1 (ENG. UPDATES)		
B	REVISED NOTE #3	11/08/02	KLK/RCW



- NOTES:
- ASSEMBLE TROLLEY WHEELS, BEARINGS AND RETAINER RINGS TO SIDE PLATE. AFTER ASSEMBLY PAINT ALL OVER WITH GLOSS BLACK, SP 190-970, FAST DRYING ENAMEL.
  - THE HANGER SHAFT, WASHERS, SPACER TUBES, LOCK NUTS AND HANGER TO BE SHIPPED LOOSE IN A CLOTH BAG.
  - CAPACITY 4400 POUNDS, (2000 KG). (TROLLEY ULTIMATE STRENGTH MUST BE IN EXCESS OF FIVE TIMES RATED CAPACITY-22,000 POUNDS).
  - TROLLEY WHEEL OUTER TREAD TO BE CROWNED TO OPERATE ON EITHER TAPERED, OR FLAT BEAM.
  - EACH TROLLEY TO BE PACKED WITH ONE-PAGE INSTRUCTION SHEET, (TL-680-1).
  - DIMENSIONS IN [ ] ARE MILLIMETERS.

8 WF X 31#	(8.000) [203]	(8.183)			
(18") [457]	(6.000) [152]	(6.220)			
(8") [15]	(3.330) [85]	(3.504)			
I-BEAM	A	X	HEAT TREAT	USED ON	QTY

QTY	ITEM	REV	PART OR IDENTIFYING NO.	NOMENCLATURE OR DESCRIPTION	CODE IDENT	MATERIAL OR NOTE	SPECIFICATION
1	10	A	17-049715	NAME PLATE DECAL			49702-DEC
1	7						
2	6	C	17-053436	SIDE PLATE & WHEEL ASSEMBLY			47032-A
1	2	B	17-049713	HANGER SHAFT			
1	2	B	17-053437	2 TON HARDWARE			2 T HOWE
1	1	C	17-049711	HANGER			

DESIGNED BY	DJH	CHECKED BY	RCW
DRAWN BY	RCW	DATE	8-28-96
SEE DETAILS			
NOTED			

2 TON HOIST TROLLEY	
FILE NAME:	D-49702
CODE IDENT NO.	52793 D
SCALE:	FULL
ACT WT	55#
SHEET	

D-449 MIN RAD. LAYOUT

D-17-044902

17-049702