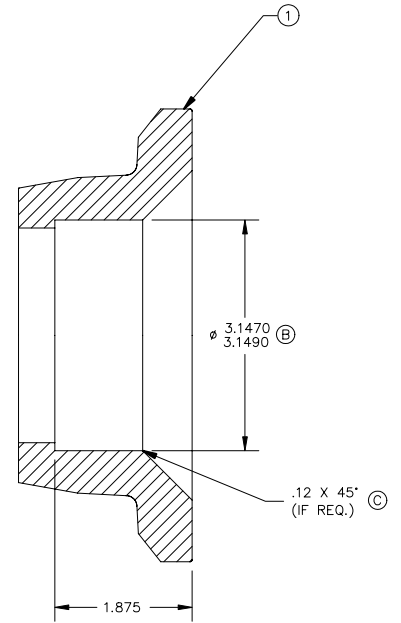
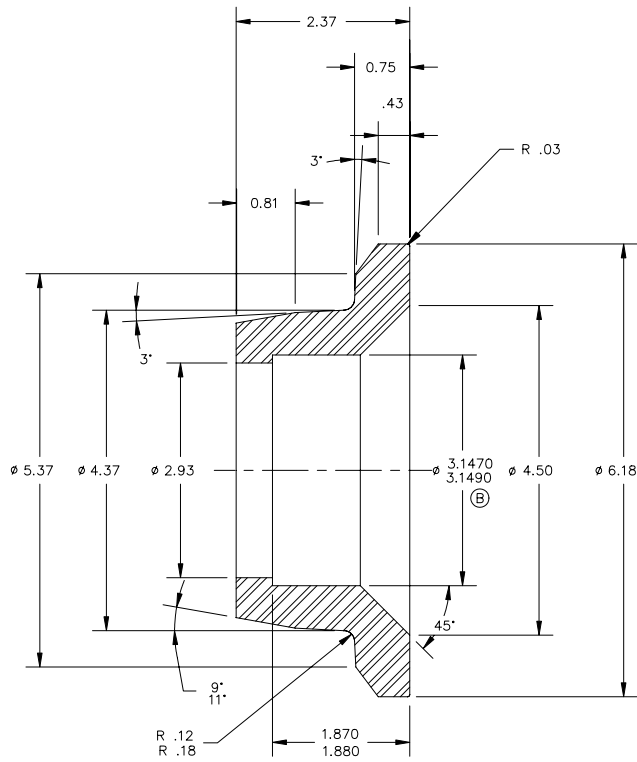



SYM	REVISIONS	DATE	DWG BY/APP
A	REDRAWN AND PUT ON AUTOCAD	12/16/99	BJA/RCW
B	TIGHTENED TOLERANCE; (ENG UPDATE)	2/23/2000	JRS/RCW
C	ADDED CHAMFER NOTE; (ENG. UPDATE)	4/27/2000	JRS/RCW



MACHINED TROLLEY WHEEL
MADE FROM CASTING

NOTE:

1. OPTIONAL: MACHINED TROLLEY WHEEL MADE FROM SOLID BAR. DO NOT HARDEN.

QTY REQD	ITEM	DWG SIZE	PART OR IDENTIFYING NO.	NOMENCLATURE OR DESCRIPTION	CODE IDENT	MATERIAL OR NOTE	SPECIFICATION
1	1	C	17-044436-X	TROLLEY WHEEL CASTING			
UNLESS OTHERWISE SPECIFIED DIMENSIONS ARE IN INCHES				DRAWN BY: DJH	 <p>TROLLEY WHEEL MACHINING</p> <p>FILE NAME: 47039.DWG</p>		
TOLERANCES				CHECKED BY: GMS			
FRACTION ± 1/16				ENGR APPROVAL:			
DECIMALS .XX ± .00 .XXX ± .03 .XXX ± .010				CHIEF ENGR APPROVAL: RCW			
MATERIAL: CD ST 12L14, 1214 1008 THRU 1025 11L17, 1117.				ENG DATE DRAWN: 6-2-93			
FINISH					CODE IDENT NO. 52793	SCALE 1/1	
D-17-047025-SR		D-17-047025		QTY 4		17-047039	
NEXT ASS'Y		USED ON		QTY		SHEET	

17-047039