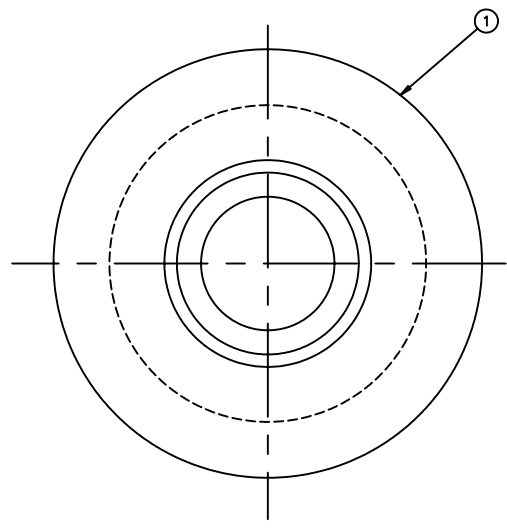
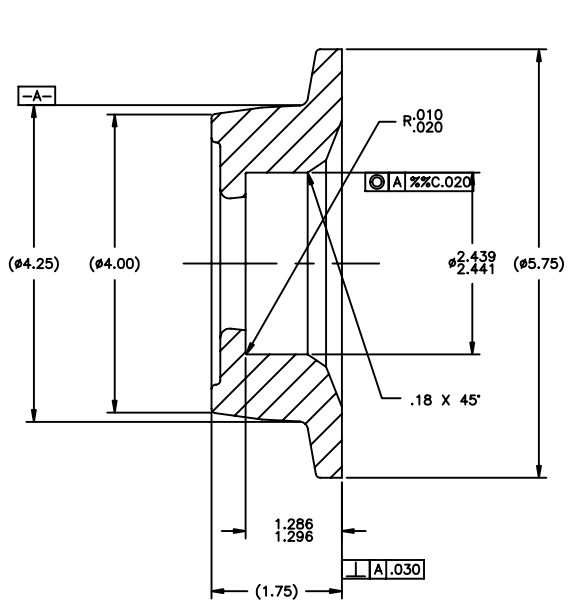



REV.	DESCRIPTION	DATE	BY	APP
C	REVISED AND REDRAWN IN AUTOCAD (ADDED GEO. TOL.)	2/13/07	RWN	MRS



ITEM #	PART NUMBER	QTY	DESCRIPTION	MATERIAL OR NOTE	SPECIFICATION
1	44351-X	1	TROLLEY WHEEL CASTING		
MATERIAL:			DRAWN BY: RWN	GEOMETRY CREATED IN AutoCAD	 Multifaceted & Multifunctional Manufacturing www.agnys.com
FINISH:			CHECKED BY: MRS	DESCRIPTION:	
			ENGINEERING APPROVAL: MRS	TROLLEY WHEEL MACHINING	
			DATE DRAWN: 6/1/93		
			CUSTOMER:		
DIMENSIONS ARE IN INCHES UNLESS OTHERWISE SPECIFIED					
TOLERANCES UNLESS OTHERWISE SPECIFIED					
47023		47023		CODE IDENT NO.	SIZE
NEXT ASSEMBLY		USED ON:		52793	C
THIS DRAWING AND THE SUBJECT MATTER ILLUSTRATED IS THE PROPERTY OF AGNYS. THE DRAWING IS NOT TO BE COPIED BY ANY PARTY OR INDIVIDUAL WITHOUT THE EXPRESS WRITTEN AUTHORIZATION OF AGNYS.					
MACHINING & STAMPING OPERATIONS			WELDMENTS & SHEET METAL FABRICATIONS		
FRACTION	DECIMALS	ANGULAR	FRACTION	DECIMALS	ANGULAR
1/16	.03	.5	1/8	.06	1
.001	.01		.001	.03	
.005	.005				
PART NUMBER / FILE NAME:				47036	
SCALE: 1:1				DO NOT SCALE DRAWING	
				SHEET: 1 of 1	
REFERENCE: 44426					