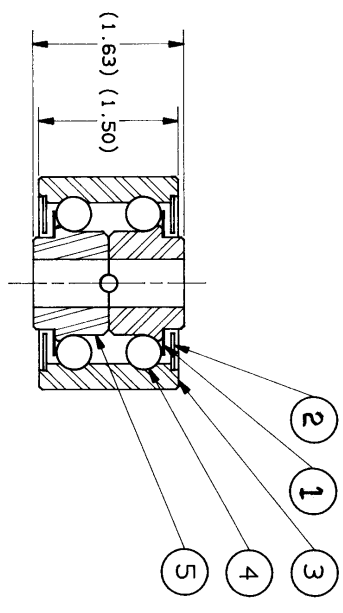
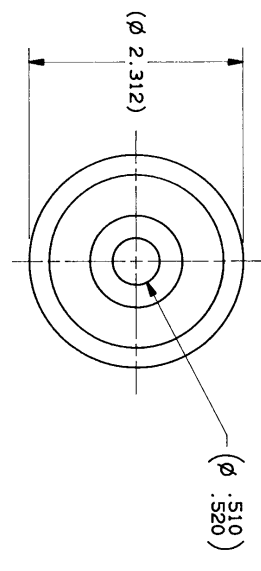


NOTICE: THIS GOVERNMENT DRAWING, SPECIFICATION, OR OTHER DATA ARE HEREBY RELEASED UNDER THE NATIONAL ARCHIVES ACT OF 2014 (54 USC 20140101) AND IS IN THE PUBLIC DOMAIN. THIS DRAWING IS NOT TO BE REPRODUCED, STORED, TRANSMITTED, OR OTHERWISE MADE AVAILABLE TO THE PUBLIC IN ANY MANNER WITHOUT THE EXPRESS WRITTEN PERMISSION OF THE NATIONAL ARCHIVES. FOR MORE INFORMATION, CONTACT THE NATIONAL ARCHIVES AT 8601 COLLEGE PARK DRIVE, COLLEGE PARK, MD 20740-6001, OR (301) 837-1122.



NOTES:
 1. COAT BALLS WITH GREASE,
 USE EP-992.

REVISIONS			
SYM	DESCRIPTION	DATE	APPROVED
A	Coat Ball was Full Cavity (WAF)	2/2/94	SHS
B	ITEM 1 WAS ITEM 2	2/10/94	RCW

QTY	ITEM	DWG	SIZE	IDENTIFYING NO.	PART OR IDENTIFYING NO.	NUMERICAL VALUE OR DESCRIPTION	CODE IDENT	MATERIAL OR NOTE	SPECIFICATION
2	5	B		14-045371		CONE			
24	4	-		COML		CARBON STL BALLS		3/8 DIA GRADE 500	
1	3	B		14-045372		SHELL			
2	2	B		14-045367		COVER			
2	1	B		14-045369		WASHER, PLASTIC			

UNLESS OTHERWISE SPECIFIED DIMENSIONS ARE IN INCHES		DRAWN		SAGINAW PRODUCTS CORPORATION	
FRACTIONS	TOLERANCES	BY	DATE	48 WILKINSON ST., SAGINAW, MICHIGAN 48601	817-753-1411
± 1/16	± .005	DJH	6-10-93	ROLLER TURN ROLLER	
XXX ± .010	± .010	CHIEF ENGINEER APPROVAL	DATE DRAWN		

FINISH	CODE IDENT. NO.	SIZE	DATE	SHEET
	52793	C	13-045373-1	
NEXT ASBY	USED ON	QTY		