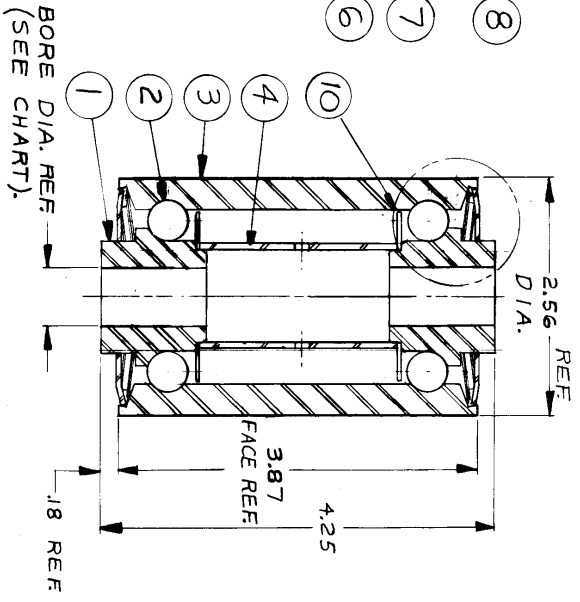
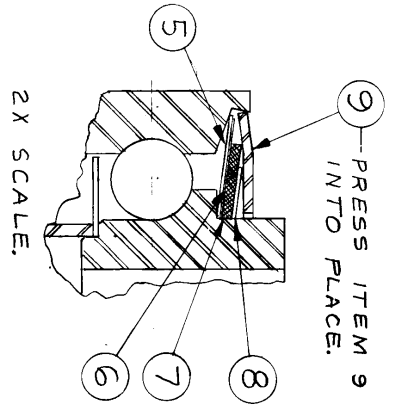


NOTICE: WHEN GOVERNMENT DRAWINGS OR SPECIFICATIONS OR OTHER DATA ARE REFERENCED IN THIS DRAWING, THE UNITED STATES GOVERNMENT, THE GOVERNMENT OF CANADA, THE GOVERNMENT OF THE STATE OF TEXAS, AND THE GOVERNMENT OF THE STATE OF CALIFORNIA, ARE HEREBY AUTHORIZED TO REPRODUCE AND TRANSMIT THIS DRAWING FOR GOVERNMENT USE ONLY. THE GOVERNMENT MAY HAVE PATENT RIGHTS IN THE DESIGN OR INVENTION OF THE DRAWING. THE GOVERNMENT WILL NOT BE HELD RESPONSIBLE FOR INFRINGEMENT OF OTHER PATENT RIGHTS. ANY RIGHTS OR PATENT RIGHTS TO A MANUFACTURE THEREON SHALL REMAIN THE PROPERTY OF THE MANUFACTURER THEREON.



NOTES:
 1. GREASE BALL RACES AT ASSY WITH MOLUB-ALLOY #2 GREASE. WIPE OFF EXCESS GREASE AFTER ASSY. ALSO PURGE BORE.
 2. SEE S.P.C. DOC. 0291 FOR ASSY AND LUBE INSTRUCTIONS.

13-044045-4Z	765	C-13-044G11-4			
13-044045-3Z	640	C-13-044G11-3			
13-044045-2Z	578	C-13-044G11-2			
13-044045-1Z	515	C-13-044G11-1			
PART NO.	BORE	ITEM 1 (CONC)			
			NEXT ASSY	USED ON	QTY

BRUNING 44-131 52553
 4253-7-77
 CHART

QTY	ITEM	DWG SIZE	PART OR IDENTIFYING NO.	NOMENCLATURE OR DESCRIPTION	CODE IDENT	MATERIAL OR NOTE	SPECIFICATION
2	10	A	30193	WASHER			
2	9	B	01-042125	COVER			
2	8	B	01-042123	PLASTIC WASHER			
2	7	B	01-042941	FELT			
2	6	B	01-042124	STEEL SHIM			
2	5	B	01-042940	PLASTIC WASHER			
1	4	C	13-044227-12	TUBE			
1	3	C	13-044043-1	SHELL			
22	2	~	COML.	CARBON STL BALLS		7/16 DIA.	GRADE 1000
2	1	C	SEE CHART	CONE			

SYM	REVISIONS	DATE	APPROVED
A	P/N 13-044045-Z WAS 13-045214-Z	4/14/84	AMS
B	A-C-13-044G11-1-2-4-5-4 WAS C-13-044G11-1-2-4-5-4 OR B OR D; B3 ADDED TO RESD; A-30193 WASHER (ROLLER CHANGED TO USE SINGLE SPACER TUBE WITH GREASE SHEVES); ROLLER IS NOW SIMILAR TO 311Z ROLLER	11/21/89	AMS

C-01-003112-2, C-13-044120 25/800 (C-13-044218-2 37/8 LTB)
 BOLT 3/8" DIA 0.13-045216 USED W/ THIS ROLLER
 CHARTED

13-044045-Z