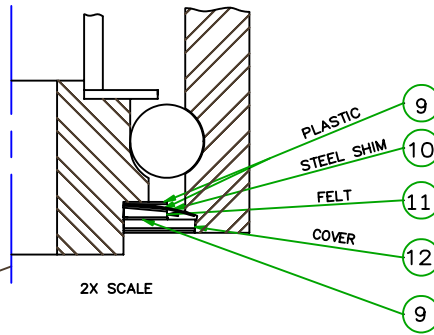
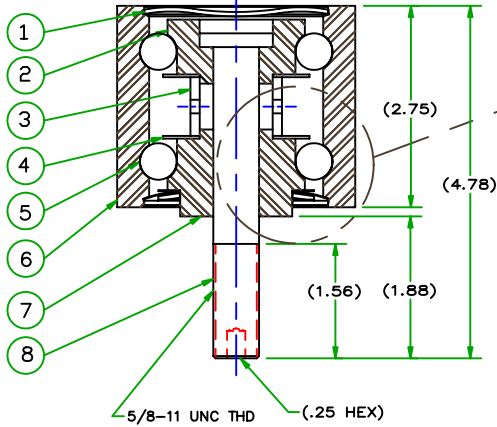
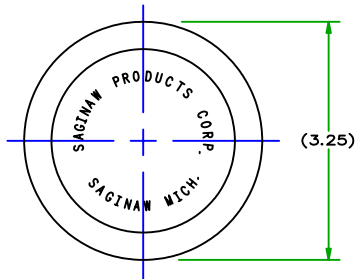


SYM	REVISIONS	DATE	DWG BY/APP
H	REDRAWN & PUT ON AUTOCAD	4-24-85	DJH/RCW
I	UPDATED GREASE SPEC. (ENG UPDATE)	8-2-99	JCE/RCW
J	01-042872-3 WAS 01-042872; (ENG. UPDATE)	9-15-00	JRS/RCW



QTY REQD	ITEM	DWG SIZE	PART OR IDENTIFYING NO.	NOMENCLATURE OR DESCRIPTION	CODE IDENT	MATERIAL OR NOTE	SPECIFICATION
1	12	B	01-042875	COVER			
1	11	B	01-042751	FELT			
1	10	B	01-042866	SHIM			
3	9	B	01-042870	WASHER, PLASTIC			
1	8	B	01-042865	AXLE			
1	7	B	01-042872-3	CONE			
1	6	C	01-042864	SHELL			
26	5	~JJ	.500 SB 1000	BALL, STEEL, CARBON		1/2 DIA, GRADE 1000	
2	4	B	14-045288	WASHER, RETAINER			
1	3	C	13-044227-8	TUBE			
1	2	B	01-042871	CONE			
1	1	B	14-045012-6	COVER			

NOTE:
1. COAT BALLS WITH LUBE USE MOLUB-ALLOY 860-150-2 GREASE.

Ⓢ

FINISH	USED ON	QTY

UNLESS OTHERWISE SPECIFIED DIMENSIONS ARE IN INCHES			DESIGNED BY	GMS
TOLERANCES			CHECKED BY	GMS
FRACTION	DECIMALS	ANGLES	DRW APPROVAL	
* 1/16	.005	± 1°	CHIEF ENGR APPROVAL	RCW
	.002		CRG DATE DRAWN	4-26-78
	.001			
	.010			
MATERIAL				
SEE DETAILS				
FINISH				

SAGINAW PRODUCTS CORPORATION
800 MILLIKEN ST. SAGINAW, MICHIGAN 48601 915-788-1011 FAX 915-788-0880

AXLE TYPE BEARING (ROLLER TURN ROLLER)
 FILE NAME: C-42861

CODE IDENT NO. **52793** **C** **13-042861**

SCALE **FULL** SHEET

C-13-043663

13-042861