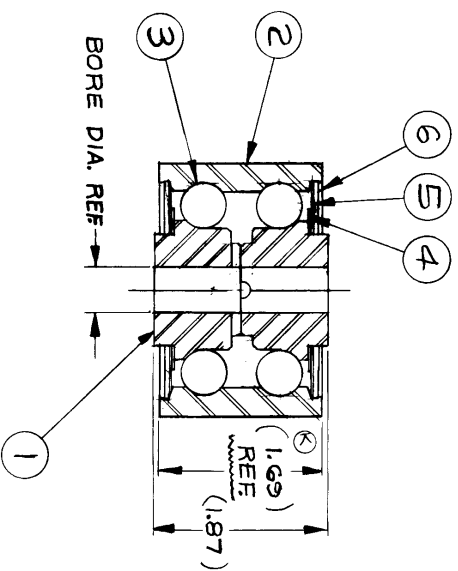
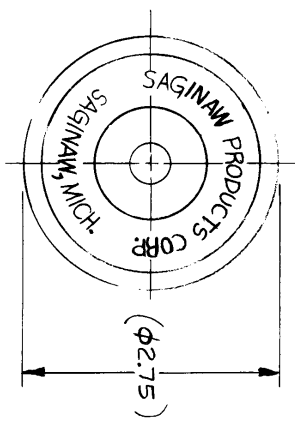


NOTICE: WHEN GOVERNMENT DRAWINGS, SPECIFICATIONS, OR OTHER DATA ARE REFERRED TO IN THIS DOCUMENT, THE UNITED STATES GOVERNMENT AND THE FACT THAT THE GOVERNMENT MAY HAVE PURCHASED FROM SOURCE, DOES NOT CONSTITUTE AN ENDORSEMENT OR RECOMMENDATION BY THE GOVERNMENT OF THE QUALITY OF ANY MATERIALS OR WORKMANSHIP, NOR DOES IT CONSTITUTE AN ENDORSEMENT OF THE QUALITY OF ANY MATERIALS OR WORKMANSHIP, NOR DOES IT CONSTITUTE AN ENDORSEMENT OF THE QUALITY OF ANY MATERIALS OR WORKMANSHIP, NOR DOES IT CONSTITUTE AN ENDORSEMENT OF THE QUALITY OF ANY MATERIALS OR WORKMANSHIP.



NOTE:
1. FULLY COAT BALLS AT ASSY WITH SUNAPLEX 992 EP GREASE. WIPE OFF EXCESS GREASE AFTER ASSY.

| PART NO. | BORE | ITEM 1 (CONE) | REMARKS | USED ON | QTY |
|----------|------|---------------|--------------------|---------|-----|
| 3323-4 | .765 | 44230-4 | | | |
| 3323-3 | .640 | 44230-3 | | | |
| 3323-2 | .578 | 44230-2 | | | |
| 3323-1 | .515 | 44230-1 | REPLACES P/A-17345 | | |

REF C-13-003112, C-13-003131, C-13-003132, C-13-003134, C-13-008793, C-13-033615.

| QTY | ITEM | DMG | SIZE | PART OR IDENTIFYING NO. | NOMENCLATURE OR DESCRIPTION | CODE IDENT | MATERIAL OR NOTE | SPECIFICATION |
|-----|------|-----|-------------|-------------------------|-----------------------------|------------|---------------------|---------------|
| 2 | 6 | B | 01-042125 | | COVER | | | |
| 2 | 5 | B | 01-042124 | | SHIM | | | |
| 2 | 4 | B | 01-042123 | | WASHER | | | |
| 22 | 3 | ~ | COML. | | BALL, CARBON STL | | 1/2 DIA. GRADE 1000 | |
| 1 | 2 | C | 01-041448-4 | | SHELL | | | |
| 1 | 1 | C | SEE CHART | | CONE, MODIFIED | | | |

UNLESS OTHERWISE SPECIFIED
DIMENSIONS ARE IN INCHES
TOLERANCES DECIMALS ANGLES
± .006 ± .1°
X ± .008
XX ± .010
XXX ± .010

FINISH
DRAWN OLZEWSKI
CHECKED GMS
DATE 9-7-29
CHIEF ENGR APPROVAL

SCALE 1/1
CODE IDENT. NO. 52793
SIZE C
13-003323

REPLACES A-17345
C-13-044778-01
(CHARTED)

| REV | DATE | APPROVED | REVISIONS |
|-----|---------|----------|--------------------------------|
| 1 | 9/12/98 | GMS | REBRAWN & REVISED |
| 2 | | | 1.69 WAS 1.78 (SALES DEPT REQ) |

13-003323