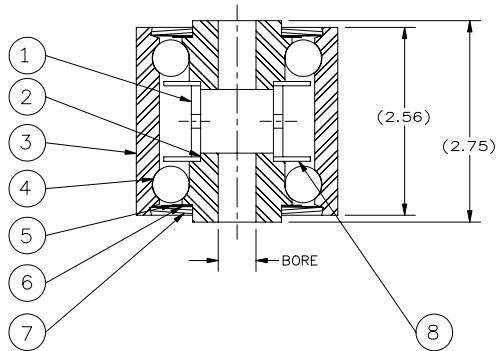
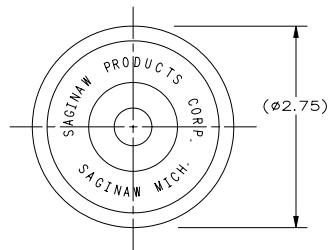


SYM	REVISIONS	DATE	DWG BY/APP
M	REDRAWN & PUT ON AUTOCAD	4-24-95	DJH/ RCW



NOTE:

1. APPLY GREASE TO WASHER AND BALLS,
USE SUNAPLEX EP 992 GREASE

2	8	B	13-045288	WASHER		
2	7	B	01-042125	COVER		
2	6	B	01-042124	SHIM		
2	5	B	01-042123	WASHER, PLASTIC		
22	4	~	JJ .500 SB 1000	BALL, STEEL, CARBON	1/2 DIA, GRADE 1000	
1	3	C	13-041448-1	SHELL		
2	2	C	SEE CHART	CONE		
1	1	C	13-044227-1	TUBE		

13-003112-4	.765	13-044226-4				
13-003112-3	.640	13-044226-3				
13-003112-2	.578	13-044226-2				
13-003112-1	.515	13-044226-1				
PART NO.	BORE	ITEM 2 (CONE)	REMARKS	NEXT ASS'Y	USED ON	QTY

UNLESS OTHERWISE SPECIFIED DIMENSIONS ARE IN INCHES	DRAWN BY OLZEWSKI	<p>SAGINAW PRODUCTS CORPORATION 28 WILLIAMSON ST. SAGINAW, MICHIGAN 48601 917-753-1411 FAX 917-753-4286</p>
TOLERANCES FRACTION ± 1/16 DECIMALS .X ± .06 .XX ± .03 .XXX ± .010 ANGLES ± 1°	CHECKED BY GMS	
MATERIAL SEE DETAILS	CHIEF ENGR APPROVAL RCW	ROLLER TURN ROLLER FILE NAME: C-3112
FINISH	ENGR APPROVAL 1/3/30	
CODE IDENT NO. 52793 SCALE FULL		SHEET 13-003112

CHARTED

13-003112